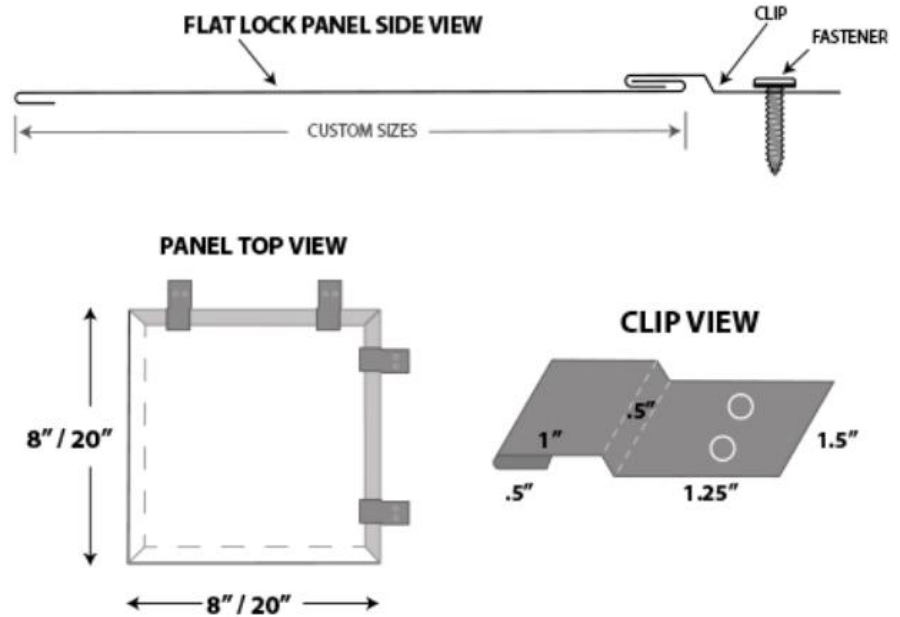


FLAT LOCK PANEL

PRODUCT DESCRIPTION

Flatlock is highly sought after for architectural structures, from high-end residential to large scale commercial projects. It's visual simplicity yet sophisticated layout offers a level of complexity to building exteriors that take any project to an elevated level. This system also utilizes clips and can be laid in a brick like, or diamond pattern. Its coverage range and endless design options make it a major player for exterior cladding options.

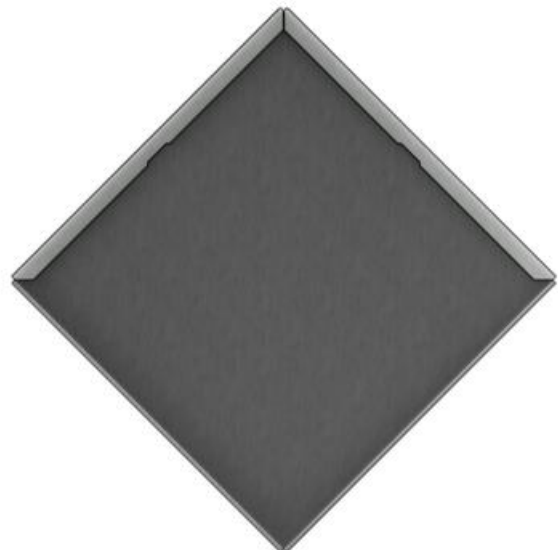


Profile Detail

Fastening System	Concealed Fastener
Application	Roofing & Siding
Panel Coverage	8"x8" - 20"x20"
Rib Height	N/A
Minimum Slope	3/12
Max Shipping Length	N/A

Available Gauges

Galvalume	Grade 33	26ga, 24ga
Aluminum		0.040



Additional offerings may be available upon customer request. Standard production lead times are 2-4 weeks.